

RELY ON EXCELLENCE

The patented SeccoLip – Unique. Flexible and efficient.

Designed for use with agitators, mixers, dryers, reactors, and screw conveyors.



Patented design



Extremely versatile



Cost efficient

The SeccoLip – A smart combination

For optimal results

In machines and plants, shaft seals are continuously subjected to forces of varying strength and direction during operation. Typical lip seals have a difficult time coping with such conditions. Increased wear, contamination due to leakage that can reduce quality or even a costly seal replacement – all this is avoidable.

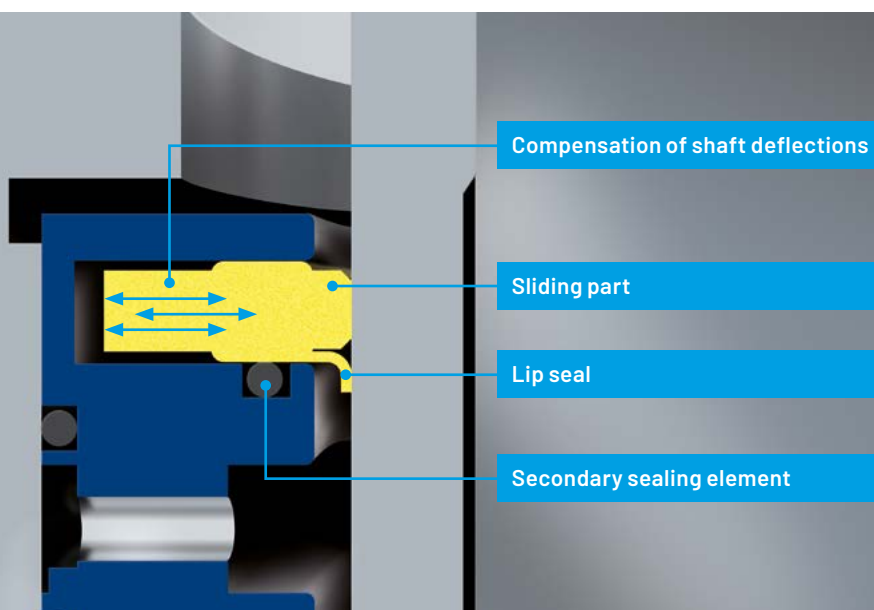
The SeccoLip is an entirely new design that combines the principle of a shaft sealing lip with the reliability and safety of a mechanical seal.

The combination of PTFE sealing lip and sliding part is patented and can compensate any shaft deflection directly and reliably thanks to a special compensation function.

Advantages of using the SeccoLip

- Protects both the product and the environment
- Minimizes maintenance and service work
- Reliably handles challenging conditions

The lip seal SeccoLip is ideal for machines such as agitators, mixers, dryers, reactors, and screw conveyors, whether they feature top or side entry drives. It is designed as a dry running seal and can be operated both with or without a gas supply system.



Patented compensation

Movable in all directions

The seal lip/sliding part combination compensates all radial and axial deflections of the shaft directly and reliably.



Intelligently designed

Extremely versatile

Thanks to its modular design and a variable sealing lip arrangement, the SeccoLip can be individually customized for a perfect fit. It is also compatible with machinery from any manufacturer.

Ready-to-install due to cartridge design

The pre-assembled and tested unit with an enclosed design makes installation simple and ensures reliable use of the seal.

Technically efficient

The SeccoLip eliminates the typical compensation elements such as O-rings, expansion discs or metal bellows. A rolling bearing and a temperature sensor are not required but are optionally available, if desired. The same applies to the glass-lined flange, since the SeccoLip461 can be easily adapted to already existing glass-lined machine flanges. All this makes the SeccoLip a cost-saving and low-maintenance solution.

Service-friendly design

The SeccoLip has no sensitive parts such as springs, drive pins, slide rings or counter rings. The sealing lips can be changed quickly and easily on-site.

ATEX zone 0

The seal can also be used reliably in explosion protection zone 0 without temperature sensor.

FDA-compliant

The PTFE material of the sealing lips satisfies the strict regulations of the U.S. Food and Drug Administration.

CIP/SIP compatibility

Designed with minimal dead space, the SeccoLip can be operated hygienically and safely.

Sealing system compliant with TA-Luft (German Clean Air Act) requirements

The SeccoLip is low-emission and perfectly environmentally safe.

At home in many sectors



Chemical industry



Pharmaceutical industry



Food processing industry



Beverage industry

Fully flexible in design

SeccoLip(R)481L

Sealing lips

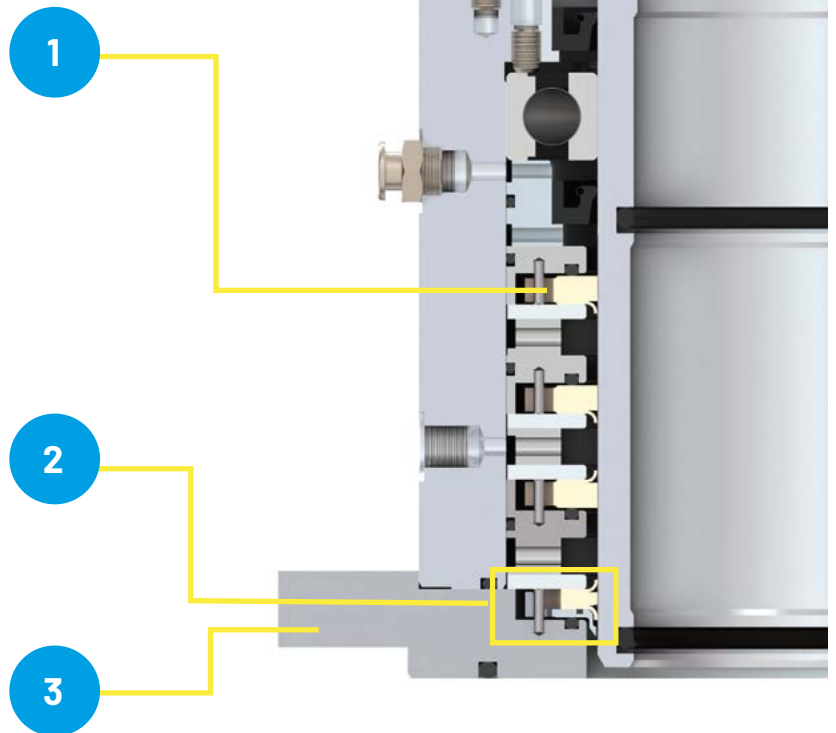
- Variable positioning on either the process or atmosphere side
- Perfect contact with the machine shaft for minimal leakage
- Non-variable parts in all sealing stages
- Easy to replace
- Made of bright, chemically highly resistant PTFE compound
- FDA-certified material
- Suitable for corrosive processes

SeccoLipR component

- Recommended upgrade for demanding applications involving contact with abrasive product media
- Also available as a stand-alone solution or in combination with other agitator seals

Flanges

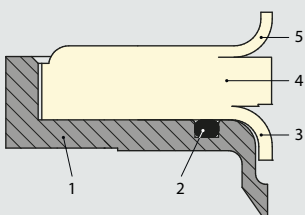
- Optional addition: Easy-to-clean hygiene flange, flushing flange and cooling flange
- Special materials are possible



Variants: 2, 3 or 4 lips

For stainless steel vessels.

SeccoLipR component



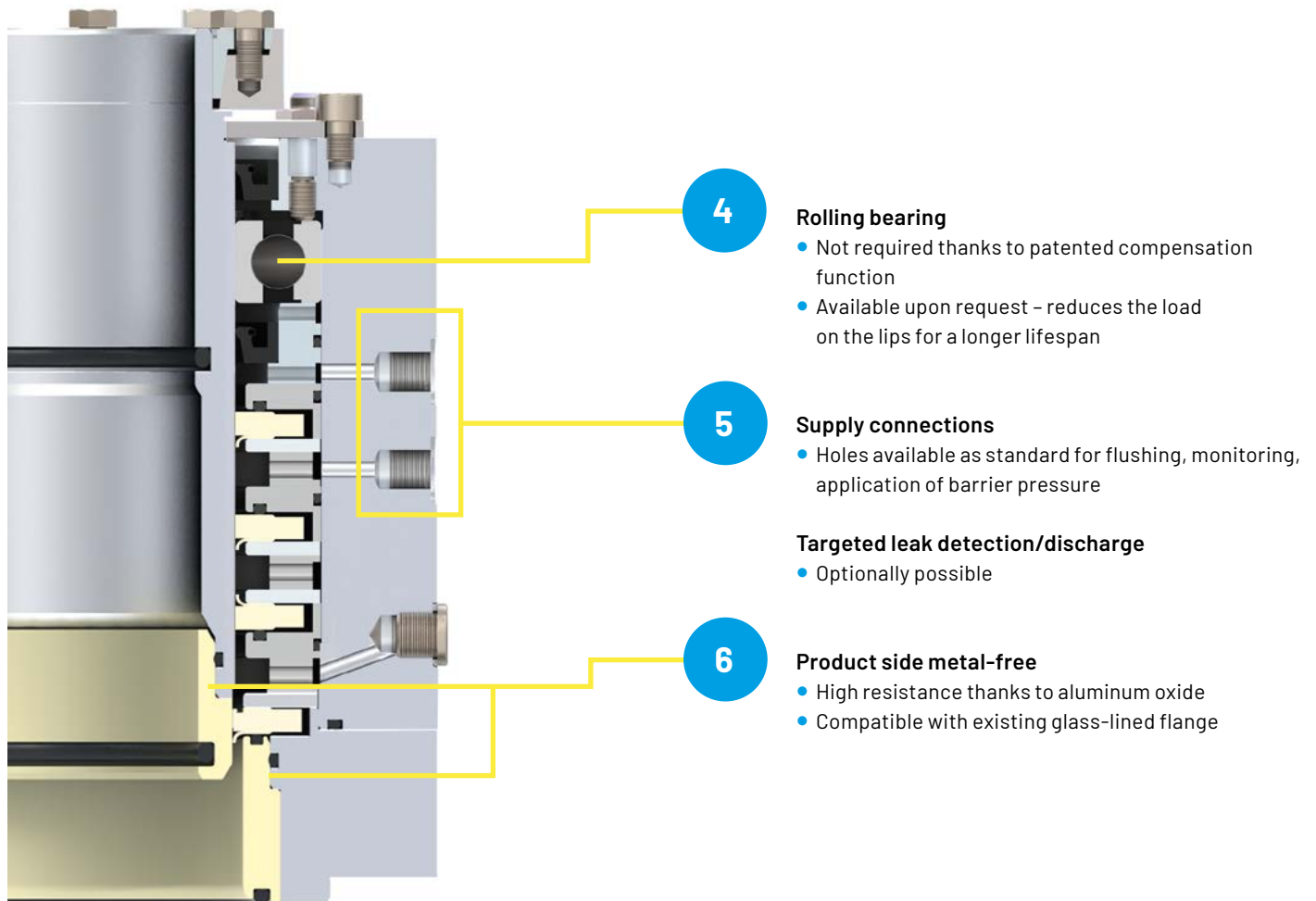
- 1 **The metal shield** prevents the lip seals behind it from coming into contact with the product.
- 2 **The O-ring** prevents the product from flowing between the metal shield and the first PTFE lip.
- 3 **The first PTFE lip** seals the product container.
- 4 **The sliding part** adjusts the sealing element in the event of radial shaft deflections.
- 5 **The second PTFE lip** reliably seals against the atmospheric side in vacuum applications.

Variable arrangement of the sealing lips

The diverse range of applications are matched by the many possible variants of SeccoLip regarding the number and possible alignment of the individual sealing lips.

Let us know your application conditions, and we will provide you with a SeccoLip in the design you require.

SeccoLip461



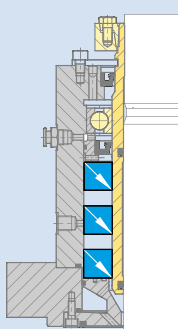
Variants: 3 or 4 lips

For glass-lined vessels.
Recommended for special requirements regarding chemical resistance.

Example variant with 3 lips, differently aligned

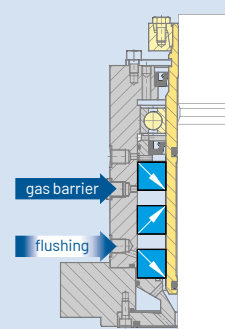
Overpressure application

- Sealing supply connections with plugs
- No supply system necessary

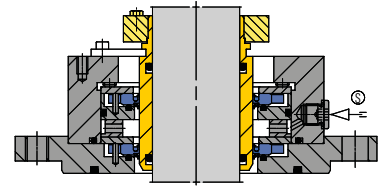


Overpressure or vacuum application

- Optional flushing: The product cannot penetrate into the seal
- Flushing medium enters into the product
- Supply system necessary



Convincing also in detail

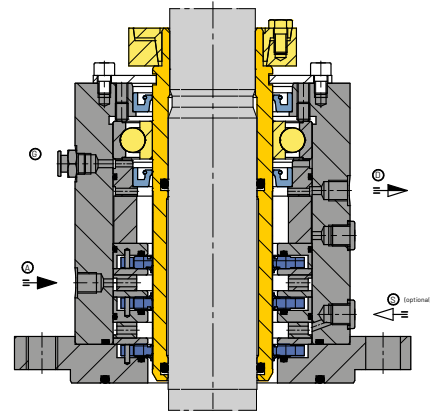


SeccoLip 481-2

Operating range

- Shaft diameter: $d_1 = 40 \dots 125 \text{ mm}$ (1.57" ... 4.92")
Special shaft diameters between 25 mm and 200 mm possible (0.98" ... 7.87")
- Pressure: $p_1 = \text{vacuum} \dots 6 \text{ bar}$ (87 PSI)
- Temperature: $-30 \text{ }^\circ\text{C} \dots +200 \text{ }^\circ\text{C}$ (-22 °F ... +392 °F)
- Sliding velocity: $v_{g \text{ max.}} = 0 \dots 2 \text{ m/s}$ (0 ... 6 ft/s)
- Axial movement: $\pm 3.0 \text{ mm}$
- Radial movement: 1.0 mm (up to 3 mm on request)

Please note that the extremal values of each operating parameter cannot be applied at the same time because of their interaction. For applications beyond this range, please inquire.



SeccoLip 481L-3

Materials

- Lip sealing element: bright chemically highly resistant PTFE-compound, FDA compliant
- Secondary seals: FKM (V)
- Metallic parts: 316L / 1.4404
- Parts in contact with product:
AL-oxide (glass-lined variant SeccoLip 461)

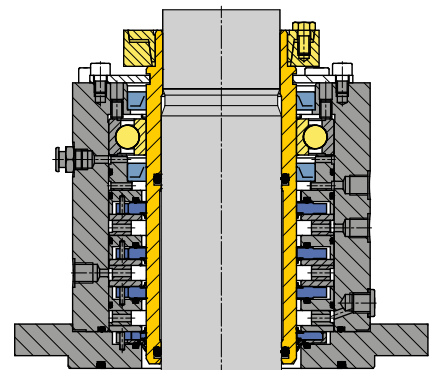
Other materials are possible. Please do not hesitate to contact us if required.

Standards and approvals

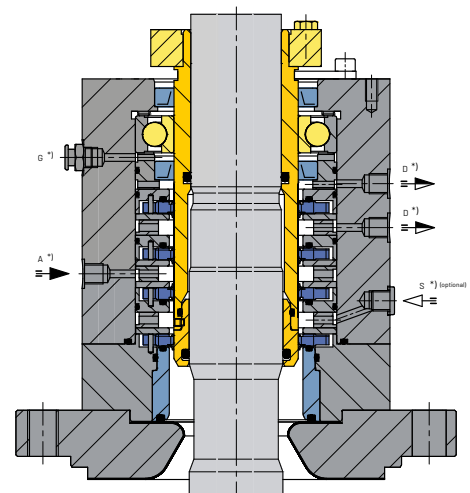
- ATEX
- FDA
- TA-Luft (German Clean Air Act)

DIN and non-DIN

The SeccoLip is basically designed for machines based on the DIN standards. SeccoLip variants for use outside DIN are also part of our product portfolio.



SeccoLipR 481L-4



SeccoLip 461L-4

**We will provide you with an optimal seal.
Even for the most difficult conditions.**

Do you have applications that pose a greater challenge than usual? Are you seeking to reliably prevent entry of product into the seal with a flush? Or are you confronted with the requirements of ATEX zone 0? The SeccoLip has all necessary holes for connection to a supply system as standard. Whether barrier pressure system, flushing system or combined barrier/flushing system – everything is optionally available with the SeccoLip.

**Please feel free to contact us.
Together, we will design the perfect seal for your application.**

The supply systems

Our supply systems of the GSS series (Gas Supply System) are designed for dry running seals. The required gas (e.g. air or N₂) is taken from the supply network. According to the safety requirements, all systems can be equipped with alarms and/or shut-off points.



Barrier system

For securely creating a gas barrier (cooling and circulation of the barrier medium, application of pressure and leak compensation).

Flushing system

Constant flushing prevents product from adhering in the area of the seal.



Combined system

Combines the barrier and flushing system into a single device.

EagleBurgmann – Leading Innovation in Sustainable Sealing Solutions

We are your leading international specialist in industrial sealing technology. We combine innovative technologies, digital solutions and our passion and enthusiasm to create sophisticated and reliable sealing systems. Our products help make entire industries safer and more sustainable. 6,000 employees create added value for our customers around the world with their enthusiasm and competence. EagleBurgmann is a joint venture between the German Freudenberg Group and the Japanese Eagle Industry Group.

Rely on excellence.



More than 100 service centers worldwide

eagleburgmann.com
info@eagleburgmann.com